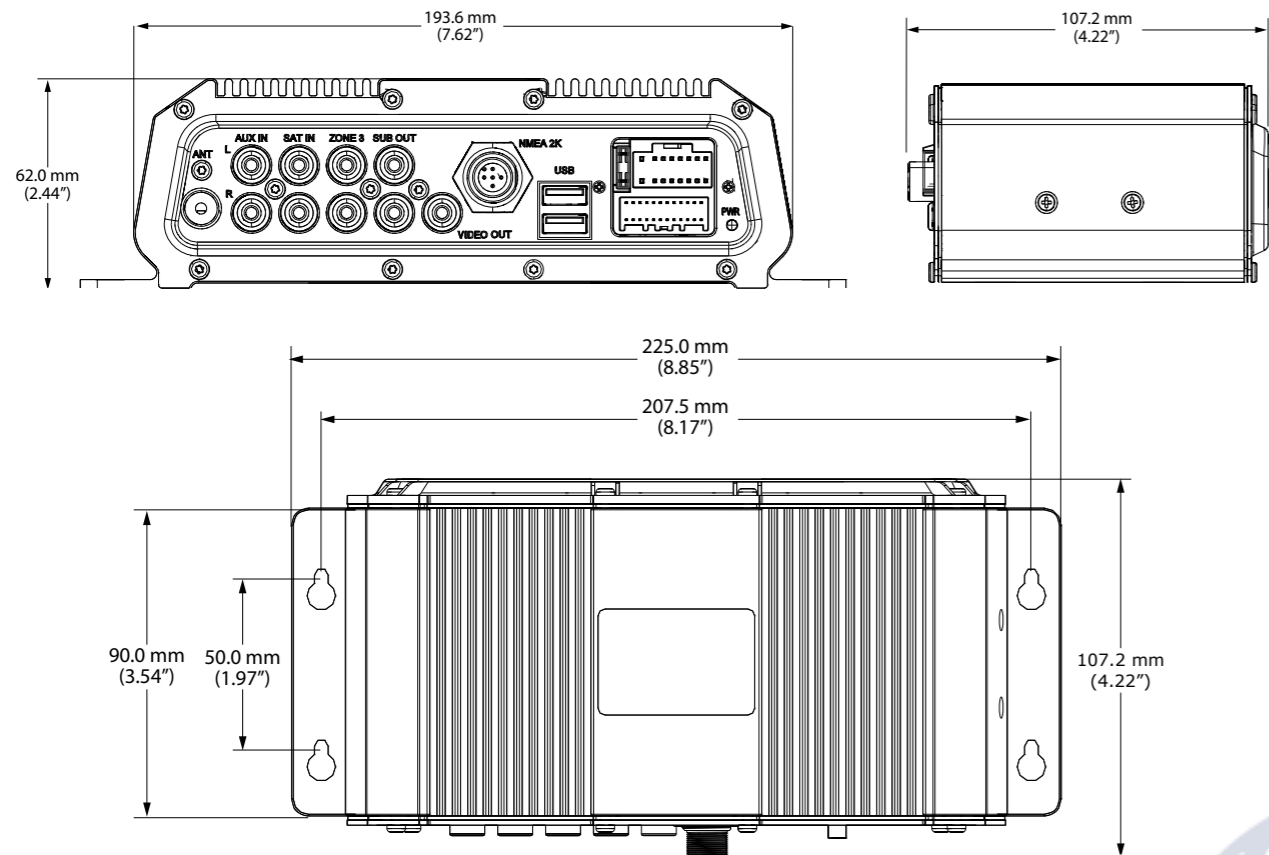
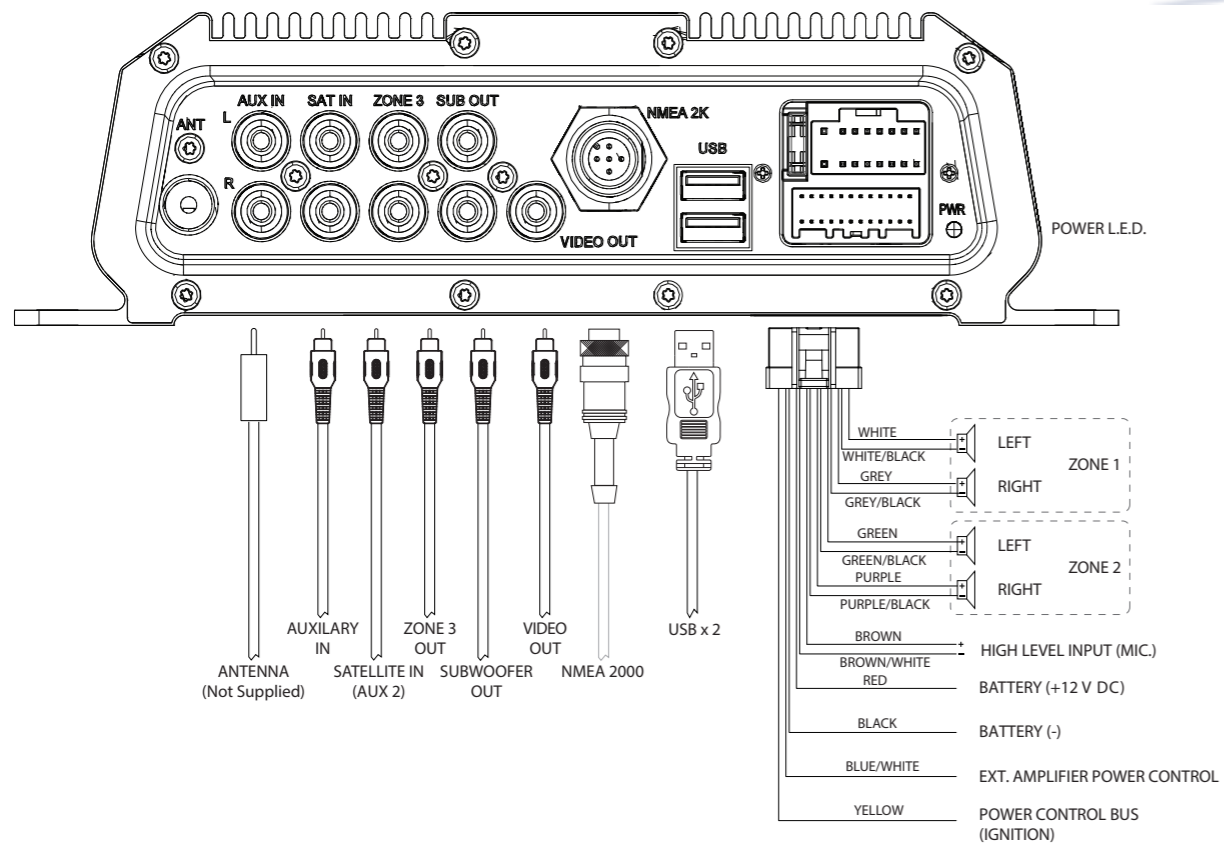


Dimensions



Wiring connectors



Compliance statements

Navico®, Lowrance and B&G, are registered trademarks of Navico. Simrad® is used by license from Kongsberg.

NMEA® and NMEA 2000® are registered trademarks of the National Marine Electronics Association.

The Bluetooth® word mark and logos are registered trademarks owned by the Bluetooth SIG, Inc. and any use of such marks by Navico is under license.

Other trademarks and trade names are those of their respective owners.

Europe

Navico declare under our sole responsibility that the product conforms with the requirements of:

- CE under RED 2014/53/EU

United States of America

Navico declare under our sole responsibility that the product conforms with the requirements of:

- Part 15 of the FCC Rules. Operation is subject to the following two conditions: (1) this device may not cause harmful interference, and (2) this device must accept any interference received, including interference that may cause undesired operation.

! Warning: The user is cautioned that any changes or modifications not expressly approved by the party responsible for compliance could void the user's authority to operate the equipment.

- **NOTE:** The equipment generates, uses and can radiate radio frequency energy and, if not installed and used in accordance with the instructions, may cause harmful interference to radio communications. However, there is no guarantee that the interference will not occur in a particular installation. If this equipment does cause harmful interference to radio or television reception, which can be determined by turning the equipment off and on, the user is encouraged to try to correct the interference by one or more of the following measures:
- Reorient or relocate the receiving antenna
 - Increase the separation between the equipment and receiver
 - Connect the equipment into an outlet on a circuit different from that of the receiver is connected
 - Consult the dealer or an experienced technician for help

ISED Canada

This device complies with ISED (Innovation, Science and Economic Development) Canada's license-exempt RSSs. Operation is subject to the following two conditions: (1) This device may not cause interference; and (2) This device must accept any interference, including interference that may cause undesired operation of the device.

La traduction française de ce document est disponible sur le site Web du produit.

Australia and New Zealand

Navico declare under our sole responsibility that the product conforms with the requirements of:

- Level 2 devices of the Radiocommunications (Electromagnetic Compatibility) standard 2017
- Radiocommunications (Short Range Devices) Standards 2014

Declarations

The relevant declarations of conformity are available at:

- www.simrad-yachting.com
- www.lowrance.com
- www.bandg.com

Bluetooth®

SonicHub2 features integrated Bluetooth and allows you to stream audio from a smart device. Refer to the relevant smart device manual or website for Bluetooth connectivity instructions.

LOWRANCE

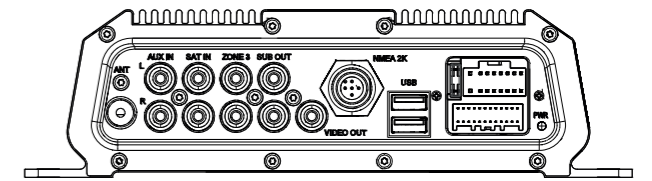
SIMRAD

B&G

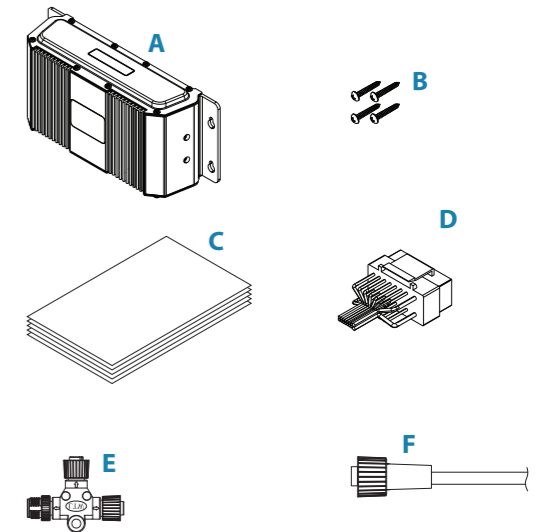
SonicHub™ 2

Marine Audio Server

INSTALLATION GUIDE

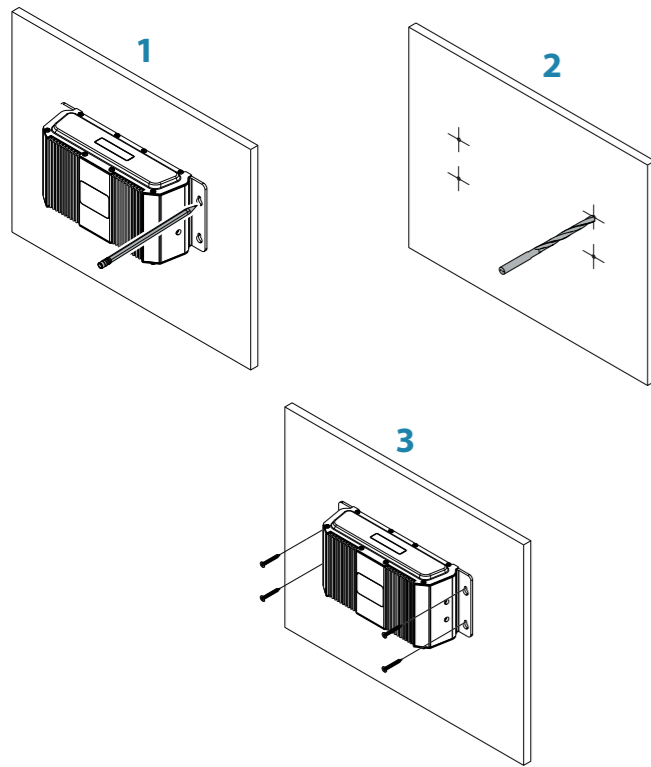


Parts included

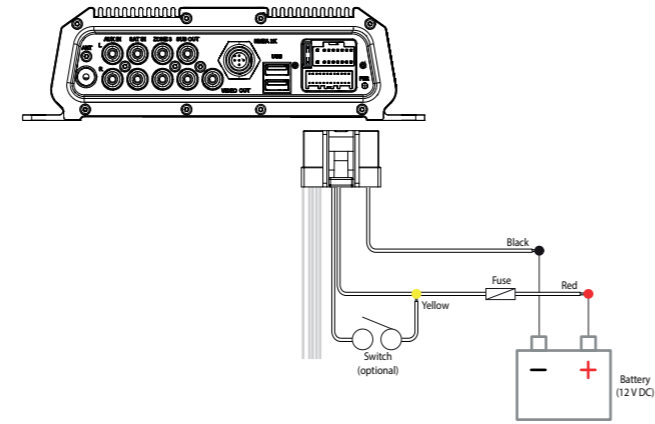


- A SonicHub™ 2
- B Mounting screws
- C Documentation pack
- D ISO wiring harness
- E NMEA 2000 T-Connector
- F NMEA 2000 Cable

Mounting

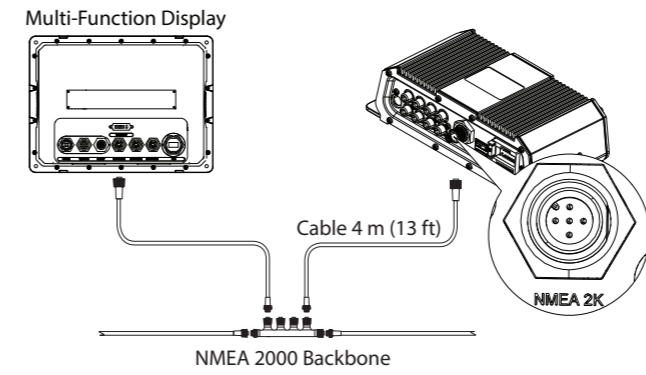


Power connection

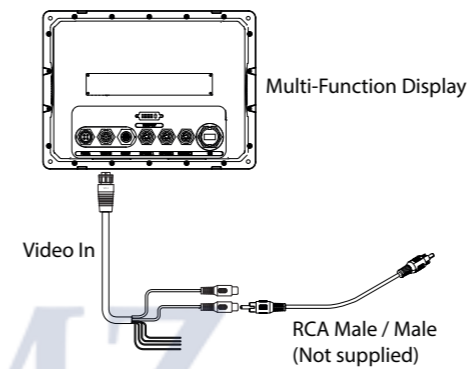


→ **Note:** The unit will turn on/off when power is applied/removed to the yellow wire.

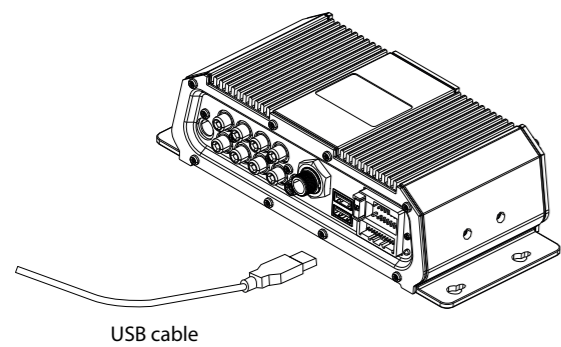
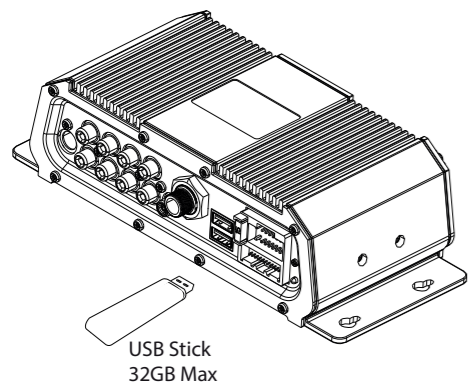
NMEA 2000 network connection



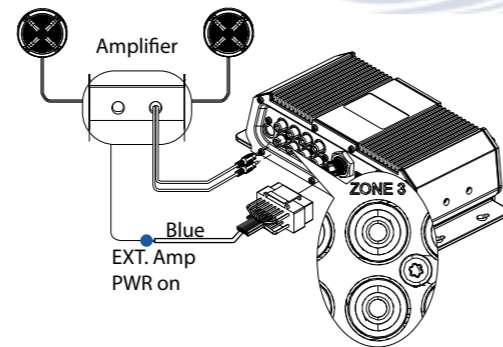
Video out connection



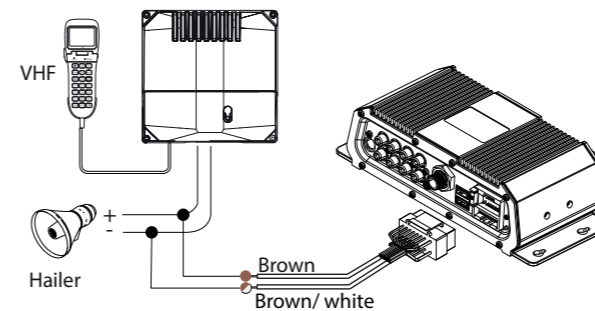
USB Connection



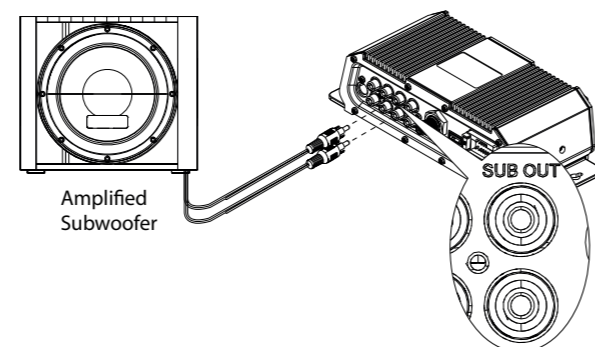
Zone 3 speaker connection



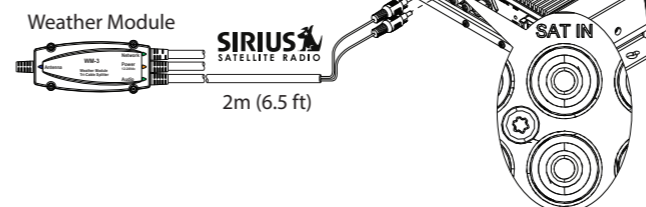
MIC connection



Subwoofer connection



SAT IN (AUX 2) connection



Specifications

General	
Operating Voltage	10 - 16V DC
Current Draw	Standby: <5mA Maximum: 20 A
Fuse Value	15 A
NMEA 2000® LEN	1
Temperature Range	Operating: -20 to 60°C (-4 to 140°F) Storage: -40 to 80°C (-40 to 176°F)
Water Resistance Rating	IPX2
Compliance	FCC Part B, subpart J; CE per EN 60945; C-Tick
Dimensions (L x W x H)	107.2 x 225.0 x 62.0 mm (4.2 x 8.9 x 2.4")
Weight	0.88 kg (1.96 lbs)
Audio Amplifier	
Output per channel (x4)	26 W RMS (45 W max) @ 4 Ω
Total Output	200 W max
Frequency Response	20 Hz - 20 kHz
S/N Ratio	>80 dB (Referred to 1 W)
Total Harmonic Distortion	<1% @ 4 Ω (Referred to 1 W, 4 Ω load, 20 Hz - 20 kHz)
FM Tuner	
FM Tuner	US: 87.9 to 107.9 MHz EU: 87.5 to 108.0 MHz JPN: 76.0 to 90.0 MHz
Usable sensitivity	3 dBuV = 1.4 uV for 30 dB S/N ratio
Auto seek sensitivity	24 dBuV = 15.8 uV for 30 dB S/N ratio
Signal to noise ratio	50 dB @ 10 dBuV signal
Ultimate S/N ratio	>70 dB @ 60 dBuV signal
Distortion	<0.1% @ 10 dBuV signal
AM Tuner	
AM Tuner	US: 530 to 1710 kHz with 10 kHz/step EU: 531 to 1611 kHz with 9 kHz/step
Usable sensitivity	28 dBuV = 25 uV for 20 dB S/N ratio
Auto seek sensitivity	36 dBuV = 63 uV for 20 dB S/N ratio
Signal to noise ratio	50 dB @ 60 dBuV signal
Ultimate S/N ratio	>60 dB @ 80 dBuV signal
Distortion	<0.4% @ 60 dBuV signal, 80% modulation
Audio Inputs	
AUX 1, AUX 2 (SAT)	1V RMS (Line inputs 2 V peak to peak)
MIC/High Level Input Sensitivity	1V RMS
High level input	6V RMS (max)
AM/FM Antenna	Coaxial (ISO/DIN Female)
Audio/Video Outputs	
Zone-3 RCA output	2V RMS
Sub Woofer output	2V RMS
Video output	PAL and NTSC
Bluetooth®	
Profile	A2DP, AVRCP, HFP
Core Specification	v4.0
Codec	SBC
Connection Range:	Up to 33 ft / 10 m
USB	
Interface	v1.1, v2.0
Maximum Charge Capacity	1 A
File Support Type	FAT16, FAT32, NTFS